

Weyn-Lauwers N.V.

Industriepark-Noord 12
B - 9100 SINT-NIKLAAS

Tel. : 00 32 (0)3 776.34.13
Fax : 00 32 (0)3 778.09.52
weynlauwers@weynlauwers.be
www.weynlauwers.be

BALL VALVE
PN16/40 - V-port Ball
SS316
FIG 175V

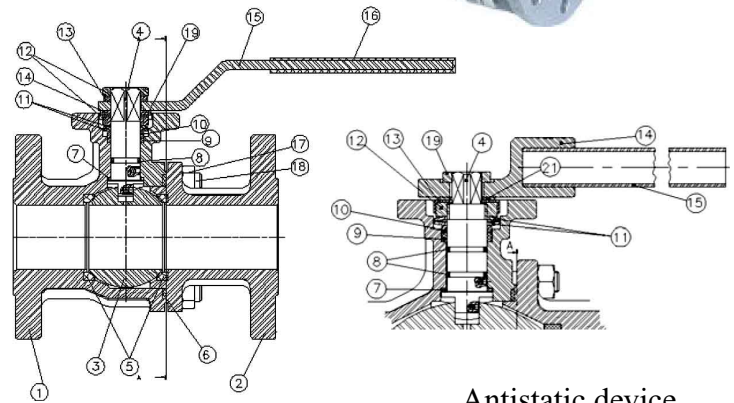
DESIGN FEATURES

- 2-PC ball valve DN15 - DN100
- Flanges acc. DIN2501 : PN40 for DN15 to DN 50
PN16 for DN 65 to DN100
- min. : -30°C +180°C
- face to face acc. DIN3202 F4/F5
- specifications :
 - anti-blow out stem
 - block system
 - V-port ball : 30° - 60° - 90°**
 - direct mounting pad acc. ISO 5211
 - fire-safe design
 - anti-static device

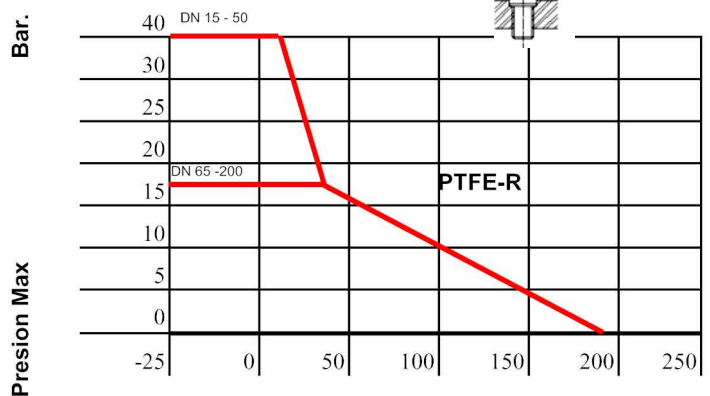
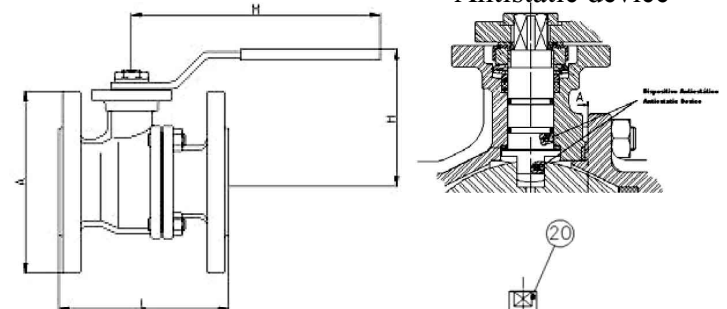


MATERIALS

item	Part name	Material
1	body	1.4408 (CF8M)
2	cap	1.4408 (CF8M)
3	ball	SS 316
4	stem	SS 316
5	seat ball	PTFE + 15 % G.F.
6	gasket	SS + graphite
7	stem packing	PTFE + graphite
8	O-ring	viton
9	stem packing	PTFE
10	stem ring	SS 316
11	spring washer	SS 301
12	nut	SS 316
13	washer	SS 304
14	stopper	SS 304
14 (dn65-100)	body handle	SS 304
15	handle	SS 304
16	handle sleeve	Vynil
17	nut	SS 316
18	stud bolt	SS 316
19	lock washer	SS 304
20	stopper	SS 304
21	lock washer	SS 304



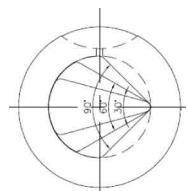
Antistatic device

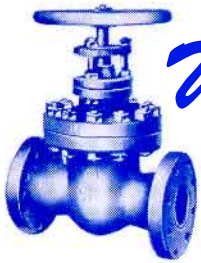


SIZE (in mm)

DN	15	20	25	32	40	50	65	80	100
PN	40	40	40	40	40	40	16	16	16
A	95	105	116	140	150	165	185	200	220
H	85	85	95	106	110	118	170	170	170
L	115	120	125	130	140	150	170	180	190
M	170	170	170	170	200	200	240	240	240
ISO5211	F04	F04/F05	F04/F05	F05/F07	F05/F07	F05/F07	F07/F10	F07/F10	F07/F10
kg	2,2	3,05	3,75	5,75	7,0	9,5	14,75	18,85	26,25
ref.	175V.04	175V.05	175V.06	175V.07	175V.08	175V.09	175V.10	175V.11	175V.12

Temperatura °C



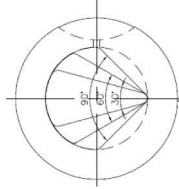


Weyn-Lauwers N.V.

Industriepark-Noord 12
B - 9100 SINT-NIKLAAS

Tel. : 00 32 (0)3 776.34.13
Fax : 00 32 (0)3 778.09.52
weynlauwers@weynlauwers.be
www.weynlauwers.be

BALL VALVE
PN16/40 - V-port Ball
SS316
FIG 175V



Kv : m³/h

DN	"V" Port	Porcentaje de Rotación de esfera / Percent of ball rotation									
		10%	20%	30%	40%	50%	60%	70%	80%	90%	100%
15	30°	0	0	0.08	0.24	0.51	0.87	1.26	1.85	2.44	3.29
	60°	0	0	0.12	0.39	0.83	1.33	2.16	3.27	4.68	7.18
	90°	0	0	0.16	0.53	0.98	1.82	2.96	4.79	8.19	10.81
20	30°	0	0.01	0.18	0.48	0.97	1.75	2.61	3.66	4.83	6.2
	60°	0	0.01	0.27	0.79	1.55	2.63	4.13	6.27	9.13	13.69
	90°	0	0.02	0.33	0.98	2.01	3.44	5.53	8.92	14.74	22.29
25	30°	0	0.13	0.47	1	1.75	2.67	3.86	5.58	6.55	9.25
	60°	0	0.15	0.64	1.51	2.71	4.42	6.57	9.54	13.44	20.45
	90°	0	0.22	1.01	2.07	3.76	5.9	8.89	14.2	23.8	34.5
32	30°	0	0.25	0.78	1.65	2.87	4.4	6.29	7.94	10.63	13.75
	60°	0	0.31	1.16	2.54	4.55	7.12	10.4	15.3	20.3	31.8
	90°	0	0.36	1.88	3.38	5.84	9.85	14.89	21.45	32.61	52.9
40	30°	0	0.32	0.95	2.15	3.42	5.79	8.65	11.12	14.58	20.05
	60°	0	0.56	1.7	3.8	6.9	10.85	15.23	21.95	30.5	45.38
	90°	0	0.55	2.56	4.93	8.36	14.46	21.15	30.3	51.4	95.35
50	30°	0	0.62	2.07	4.21	6.94	10.29	14.52	19.28	24.9	31.65
	60°	0	0.89	3.22	6.43	10.91	16.69	24.68	31.53	49.61	68.42
	90°	0	1.23	4.32	8.69	13.96	21.57	33.59	45.43	74.58	131.5
65	30°	0	1.68	3.88	7.8	12.4	19.6	26.7	38.3	49.8	61.7
	60°	0	1.57	5.01	11.6	17.7	27.2	41.2	62.8	83.7	117.2
	90°	0	1.39	9.08	16.4	25.4	39.5	65.6	93.2	140.6	197
80	30°	0	1.5	3.9	9.45	15.2	23.3	33.4	45.2	62.7	81.8
	60°	0	1.14	10.5	12.3	21.5	42.1	64	87.3	105.9	148.1
	90°	0	1.63	9.1	17.3	29.9	50.4	77.4	122.6	182.9	302.7
100	30°	0	3.1	8.3	15.2	27.3	41.8	56.7	78.5	102.5	124.8
	60°	0	5	11.9	19.3	40.3	63.2	92.5	135.9	189.9	258.6
	90°	0	5.6	18.9	33.8	57.1	86.7	132.8	204.6	312.8	507.7